



Mechanical Power Transmission Products



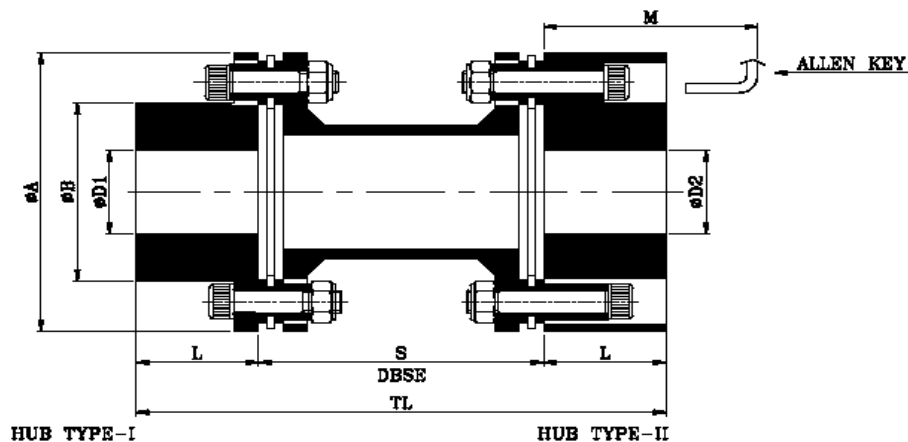
[sales@octaforce.com](mailto:sales@octaforce.com)

[www.octaforce.com](http://www.octaforce.com)

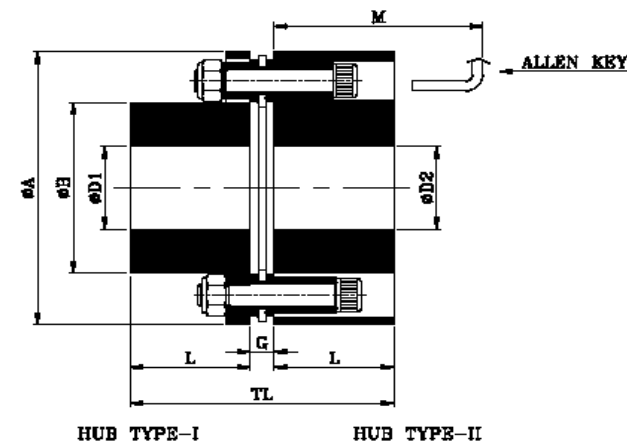
+91-9870809150

Mumbai, India

# Octaforce Disc Flex Spacer Couplings



**TYPE - RLM**

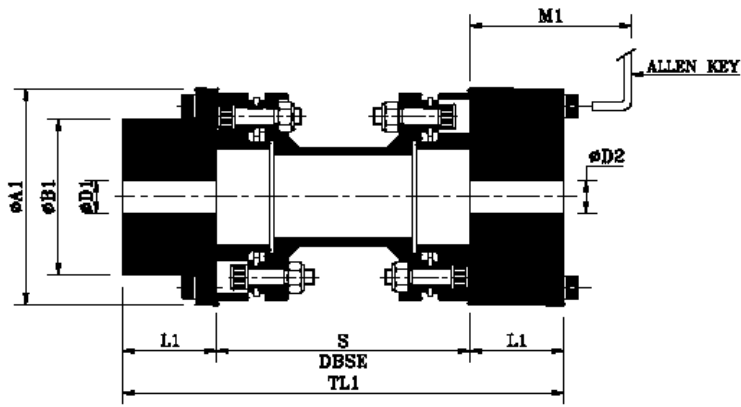


**TYPE - RLMK**

TECHNICAL DATA RLM				Bore									Weight in Kg		M.I.(MR2) in Kg.m2		Tors. Stiff.MN m/rad Approx.	
				Min	Max								Approx.		Approx.			
Coupling Size	kW 100 rpm	Torque Nm	Max Speed RPM	D1 &D2	D1 Type I	D2 Type II	Min DBSE 'S'	A	B	L	STD DBSE 'S'	TL (STD DBSE)	M2	Min DBSE 'S'	Per Mtr.Extr a 'S'	Min DBSE 'S'	Per Mtr.Extr a 'S'	
10	1.0	96	7500	10	22	25	54	63	35	30	100, 140	160, 200	75	1.3	2.3	0.0006	0.0004	0.021
35	2.4	232	7000	12	30	38	54	82	45	40	100	180, 220, 260	85	2.3	3.2	0.0021	0.0011	0.047
95	6.5	618	6000	17	40	50	66	102	57	45	140,	190, 230, 270	95	4.7	6.0	0.0062	0.0017	0.100
170	12.6	1204	5200	17	52	70	78	128	77	55	180	210, 250, 290	110	8.0	7.0	0.0182	0.0047	0.222
220	20	1912	4800	22	65	80	88	146	94	60		220, 260, 300	120	11.4	8.4	0.0350	0.0088	0.381
400	36.3	3463	4400	27	80	100	102	176	115	70	140, 180	280, 320	140	19.5	13.1	0.0850	0.021	0.773
520	58.5	5583	4200	32	90	115	114	197	132	90	140, 180	320, 360, 430	175	29.3	21.7	0.1678	0.056	0.962
1000	74.2	7084	4000	42	105	130	132	225	147	95	250	330, 370, 440	185	42.1	21.7	0.3098	0.056	1.529
1300	108.7	10383	3800	47	115	140	144	250	162	105	180,	390, 460, 510	195	61.0	27.1	0.5328	0.067	1.892
2000	152.2	14536	3700	52	120	155	168	275	178	115	250	410, 480, 530	215	81.7	42.8	0.8610	0.167	2.454
2500	196	18714	3600	62	135	165	170	300	190	130	300	440, 510, 560	235	106.9	42.8	1.3580	0.167	3.783

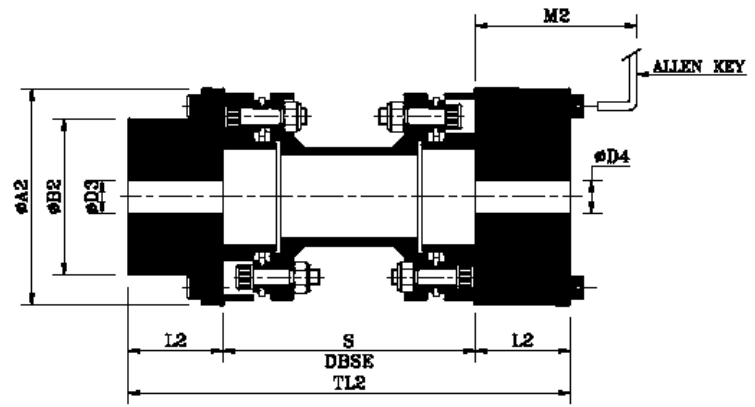
**TECHNICAL DATA - RLMK**

				Bore													Max.Mis-alignment	
				Min	Max												Axial (mm)	Angular/disc pack (deg)
Coupling Size	kW 100 rpm	Torque Nm	Max Speed RPM	D1 &D2	D1 Type I	D2 Type II	A	B	L	DBSE 'G'	TL (STD DBSE)	M	Weight in kg Approx.	M.I.(MR 2)in Kg.m2 Approx.	Tors. Stiff.MNm/ rad Approx.			
10	1.00	96	7500	10	22	25	63	35	30	6.5	66.5	75	0.9	0.00047	0.041			
35	2.40	232	7000	12	30	38	82	45	40	6.5	86.5	85	1.8	0.0017	0.093	±1		
95	6.5	618	6000	17	40	50	102	57	45	8	98	95	3.2	0.0082	0.248			
170	12.6	1204	5200	17	52	70	128	77	55	9.5	119.5	110	5.8	0.0143	0.529			
220	20	1912	4800	22	65	80	146	94	60	12	132	120	8.5	0.0263	0.895			
400	36.3	3463	4400	27	80	100	176	115	70	13	153	140	14.0	0.0640	1.665		0.75	
520	58.5	5583	4200	32	90	115	197	132	90	14.4	194.5	175	22.2	0.1320	2.393			
1000	74.2	7084	4000	42	105	130	225	147	95	16.2	206.1	185	30.5	0.2311	3.490	ON REQUEST		
1300	108.7	10383	3800	47	115	140	250	162	105	19.5	229.4	195	42.7	0.3945			±2	
2000	152.2	14536	3700	52	120	155	275	178	115	21.5	251.5	215	57.3	0.6350				
2500	196	18714	3600	62	135	165	300	190	130	23.5	283.6	235	76.1	1.0050				



HUB TYPE-I

HUB TYPE-II



HUB TYPE-III

HUB TYPE-IV

## TECHNICAL DATA

Coupling Size	kW 100 rpm	Torque Nm	Max Speed RPM	Bore																Weight in Kg		M.I.(MR2) in Kg.m2			Tors. Stiff.MN m/rad Approx.	
				Min		Max														Approx.		Approx.				
				D1 & D2 (Type I/II)	D3 & D4 (Type I/II)	D1 Type I	D2 Type II	D3 Type III	D4 Type IV	Min DBSE 'S'	A1	A2	B1	B2	L1	L2	STD DBSE	TL1 (STD DBSE)	TL2 (STD DBSE)	M1	M2	Min DBSE 'S'	Per Mtr.Extra 'S'	Min DBSE 'S'		Per Mtr.Extra 'S'
8	1.00	96	7500	8	10	24	42	38	48	80	69	90	40	55	30	40	100	160,200,240	180,220,260	80	90	2	1.32	0.0012	0.0002	0.018
25	2.40	232	7000	10	15	38	48	48	72	89	90	108	55	70	40	45	140,180	180,220,260	190,230,270	90	105	4	2.29	0.0039	0.0006	0.043
65	6.5	618	6000	15	20	48	72	65	92	103	108	135	70	86	45	55	140	230,370,340	250,290,360	105	120	9	3.19	0.0094	0.0011	0.100
125	12.6	1204	5200	20	25	65	92	80	102	128	135	152	86	108	55	60	180,250	250,290,360	260,300,370	120	125	16	4.74	0.0283	0.0034	0.232
165	20	1912	4800	25	30	80	102	90	120	148	152	182	108	130	60	70		300,370	320,390	125	135	22	8.38	0.0604	0.0088	0.395
370	36.3	3463	4400	30	45	90	120	108	140	161	182	197	130	158	70	90	180	320,390	360,430	135	155	33	13.08	0.1410	0.0213	0.749
390	58.5	5583	4200	45	55	108	140	127	155	175	197	225	158	181	90	95	250	360,430	370,440	155	160	49	21.72	0.3650	0.0561	1.239
790	74.2	7084	4000	55	65	127	155	140	178	180	225	250	181	206	95	105		370,440	390,460	160	170	61	21.72	0.4181	0.0561	1.649
1025	108.7	10383	3800	65	70	140	178	155	192	194	250	275	206	223	105	115	250	460	480	170	190	83	27.06	0.7067	0.0670	2.179
1425	152.2	14536	3700	70	75	155	192	170	212	213	275	300	223	248	115	130		480	510	190	215	105	42.79	1.1340	0.1666	3.350
1880	196.0	18714	3600	75	80	170	212	190	255	225	300	375	248	280	130	145		510	540	215	245	136	42.79	1.7740	0.1666	4.271