



Mechanical Power Transmission Products

[sales@octaforce.com](mailto:sales@octaforce.com)

[www.octaforce.com](http://www.octaforce.com)

+91-9870809150

Mumbai, India

**SKF**

**RENOLD**

*Superior Chain Technology*

**Lovejoy**

 **ctacoup**

 **ctaforce**

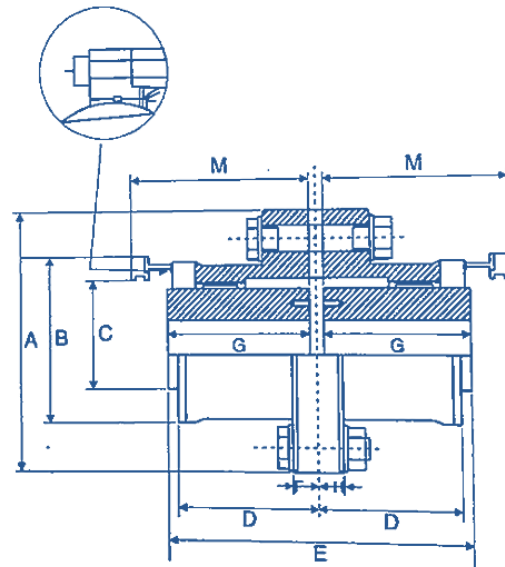
 **ctaSprock**



**Fenner**

B  
R  
A  
N  
D  
S  
W  
E  
R  
E  
R  
E  
P  
R  
E  
S  
E  
N  
T

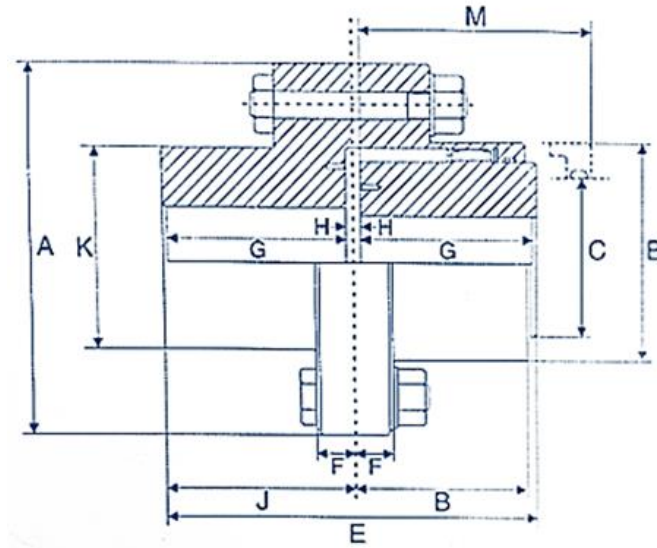
# Full Gear Coupling



GEAR COUPLING

Size OFG	Max Bore mm.	Pilot Bore mm.	Load Torque Kg.M.	Capacity H.P.per 100 RPM	Max RPM	Wt. with Solid Hubs kg.	GD2	DIMENSION IN MM								
								A	B	C	D	E	F	G	H	M
OFG100	35	10	50	7	8000	4.2	0.03	120	75	50	39.5	93	15	45	1.5	45
OFG101	50	20	100	14	6300	10	0.14	170	110	65	49	115	17	55	2.5	65
OFG102	60	30	250	35	5000	15	0.20	185	125	85	62	145	17	70	2.5	80
OFG103	75	40	450	63	4000	26	0.48	220	150	105	78	175	20	85	2.5	105
OFG104	90	50	850	119	3350	40	0.95	250	175	130	96	215	20	105	2.5	125
OFG105	110	60	1300	182	2800	62	1.90	290	200	155	106	230	25	110	5.0	140
OFG106	125	75	2000	280	2500	85	3.00	320	230	175	117	260	25	125	5.0	155
OFG107	140	90	3500	490	2100	120	5.25	350	260	205	134	290	25	140	5.0	175
OFG108	160	105	4500	630	1900	180	8.50	380	290	230	147	320	25	155	5.0	190
OFG109	180	125	5600	784	1700	210	15.00	430	330	250	156	340	25	165	5.0	205
OFG110	220	140	8200	1148	1400	290	30.5	490	390	310	171	370	25	180	5.0	220
OFG111	260	160	11000	1536	1250	550	58	545	445	350	192	410	30	200	5.0	240
OFG112	300	180	14700	2053	1120	710	88	590	490	400	231	490	30	240	5.0	280
OFG113	330	200	20000	2793	1000	980	138	680	555	440	242	535	35	260	7.5	310
OFG114	370	220	28600	3994	900	1320	291	730	610	500	266	575	35	280	7.5	330
OFG115	410	250	34750	4852	800	1700	353	780	660	540	305	655	35	320	7.5	370
OFG116	455	300	60000	8378	710	2550	680	900	755	625	335	720	45	350	10.0	425
OFG117	520	375	83350	11917	630	3620	1235	1000	855	720	386	820	45	400	10.0	460
OFG118	610	450	113000	15778	560	4860	1965	1100	950	810	430	920	55	450	10.0	510
OFG119	710	520	149000	20805	500	6380	3012	1250	1050	910	446	1000	55	485	15.0	560

# Half Gear Coupling



GEAR COUPLING

Size	Max Bore		Pilot Bore mm	Load Capacity		Max RMP	Wt.with Solid Hubs kg	GD2 Kg.M	DIMENSION IN MM											
	In mm.			Torque kg.m	H.Pper 100 RMP				A	B	C	D	E	F	G	H	J	K	M	
	GEAR	RIGID																		
OHG100	35	50	10	50	7	8000	4.2	0.03	120	75	50	39.5	93	15	45	1.5	46.5	70	55	
OHG101	50	60	20	100	14	6300	10	0.14	170	110	65	49	115	17	55	2.5	57.5	85	65	
OHG102	60	75	30	250	35	5000	15	0.20	185	125	85	62	145	17	70	2.5	72.5	110	80	
OHG103	75	90	40	450	63	4000	26	0.48	220	150	105	78	175	20	85	2.5	87.5	130	105	
OHG104	90	110	50	850	119	3350	40	0.095	250	175	130	96	215	20	105	2.5	107.5	160	125	
OHG105	110	130	60	1300	182	2800	62	1.90	290	200	155	106	230	25	110	5.0	115	185	140	
OHG106	125	150	75	2000	280	2500	85	3.00	320	230	175	117	260	25	125	5.0	130	215	155	
OHG107	140	170	90	3500	490	2100	120	5.25	350	260	205	134	290	25	140	5.0	145	240	175	
OHG108	160	200	105	4500	630	1900	180	8.50	380	290	230	147	320	25	155	5.0	160	285	190	
OHG109	180	220	125	5600	784	1700	210	15.00	430	330	250	156	340	25	165	5.0	170	315	205	
OHG110	220	260	140	8200	1148	1400	290	30.50	490	390	310	170	370	25	180	5.0	185	370	220	

# Custom Gear Coupling



G  
E  
A  
R  
C  
O  
U  
P  
L  
I  
N  
G